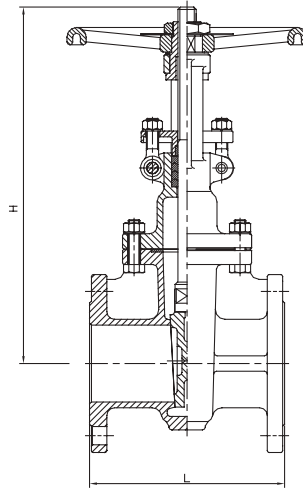




STAINLESS STEEL GATE VALVE

FLANGED END

Model: KVS - 414



MATERIALS

Description	Material
Body	Stainless Steel CF8/CF8M
Disc	
Bonnet Bolt	AISI 304
Bonnet Nut	
Bonnet	Stainless Steel CF8/CF8M
Hinge Pin	AISI 304
Bolt	
Stem	AISI 316

DIMENSIONS (mm)

DN		CLASS 150		CLASS 300		PN16	
inches	mm	L	H	L	H	L	H
1/2"	15	108	182	140	197	115	182
3/4"	20	117	195	152	211	120	195
1"	25	127	237	165	232	125	237
1 1/4"	32	140	294	180	249	130	294
1 1/2"	40	165	294	190	283	140	294
2"	50	178	335	216	353	150	335
2 1/2"	65	190	393	241	404	170	390
3"	80	203	467	283	470	180	467
4"	100	229	549	305	560	190	549
5"	125	254	630	381	626	200	630
6"	150	267	743	403	753	210	743
8"	200	292	910	419	968	230	910
10"	250	330	1097	457	1117	250	1097
12"	300	356	1285	502	1380	270	1285